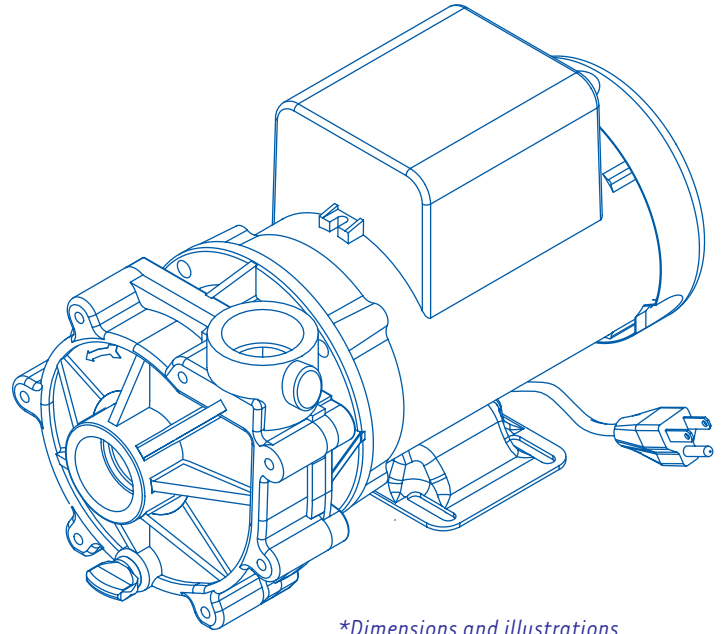
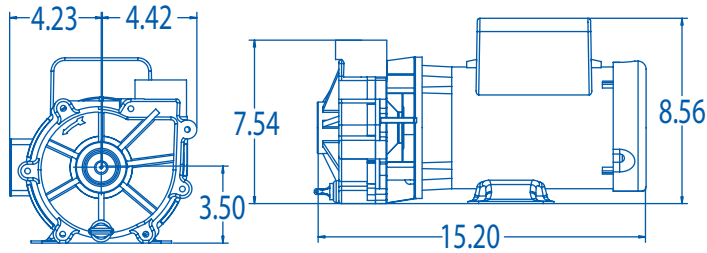


SEQUENCE® 1000

1000 Model 6100SEQ23

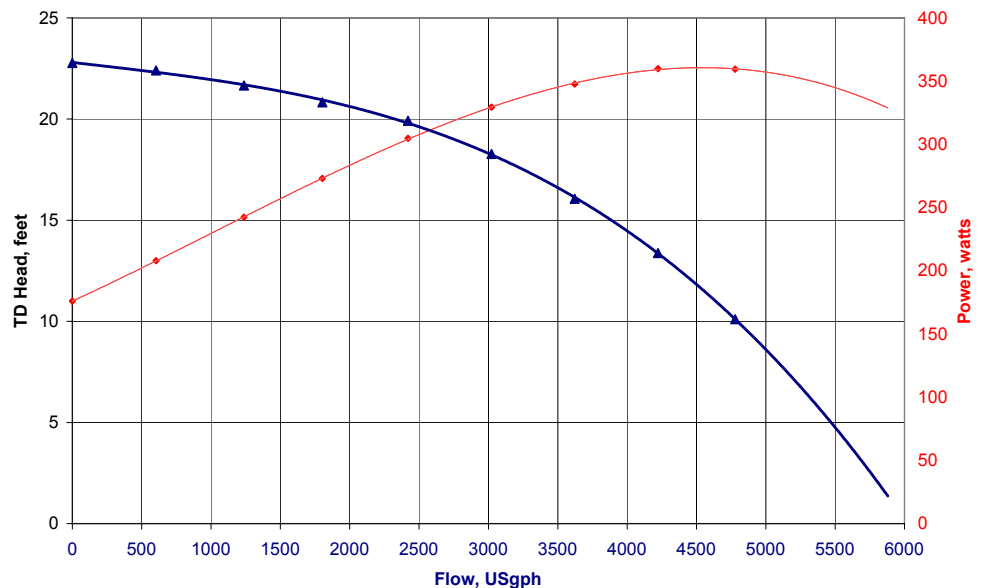
The Classic! The 1000 series has set the standard by which all others are measured. Perfect blend of medium pressure and ample flow for the majority of ponds. Motor is totally-enclosed, fan-cooled for durability. 115V or 230V. 3 year limited warranty. Made in USA. **Supplied with an 8-foot, 115V cordset.**



*Dimensions and illustrations are approximate and for reference only

Model 6100SEQ23	
List price	\$582.00
Inlet	1.5"
Discharge	1.5"
Max flow, GPH	6100
Max head, Ft	23'
Max Power, Watts	366
Max Current, Amps	3.59
115 / 230 @ Volts	115
Motor HP	1/3, 1/4, 1/6, 1/8
Motor Type	56j
Motor Enclosure	TEFC
Impeller	7
Shipping Weight	32.00 LBS
Box Dimensions	18 1/8" x 10" x 9 7/8"

(Low-Speed)



Proudly Made in the USA

Sustainable, Efficient.

©2008 SEQUENCE PUMPS A DIVISION OF MDM INC.