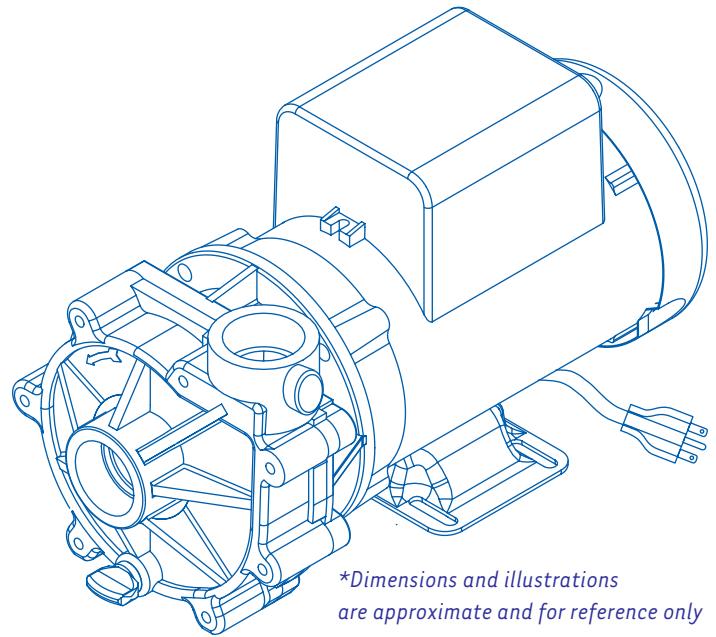
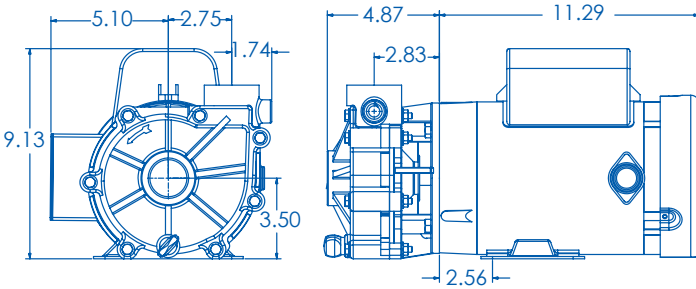


SEQUENCE® Power 1000

Power 1000 Model 11000PWR72

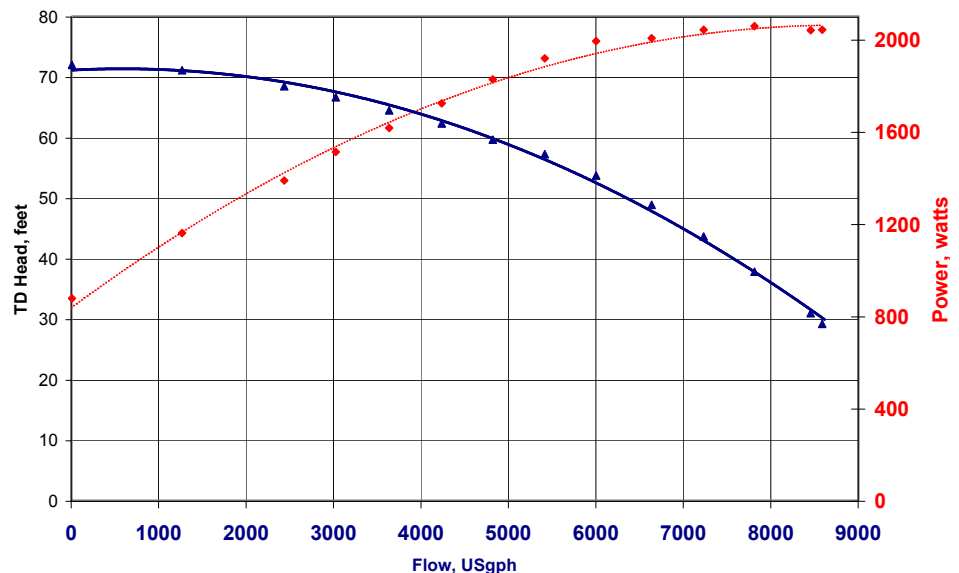
Massive flow! For the application that demands high performance, we offer the Sequence® Power 1000 Series with abundant flow and pressure. The Power 1000 puts the horsepower and efficiency into the pressure side of the performance requirement but maintains flow rates that will meet the most challenging of scenarios. Motor is totally-enclosed, fan-cooled for durability. 115V or 230 volt. 3 year limited warranty. Made in USA. **Supplied with an 8-foot, 230V cordset.**



*Dimensions and illustrations are approximate and for reference only

(High-Speed)

Model 11000PWR72	
List price	\$791.00
Inlet	1.5"
Discharge	1.5"
Max flow, GPH	11000
Max head, Ft	72'
Max Power, Watts	2056
Max Current, Amps	8.58
115 / 230 @ Volts	230
Motor HP	2
Motor Type	56J
Motor Enclosure	TEFC
Impeller	7T- 4.21"
Shipping Weight	51.00 LBS
Box Dimensions	18 1/8" x 10" x 10 1/2"



Proudly Made in the USA

Sustainable, Efficient.

©2008 SEQUENCE PUMPS A DIVISION OF MDM INC.