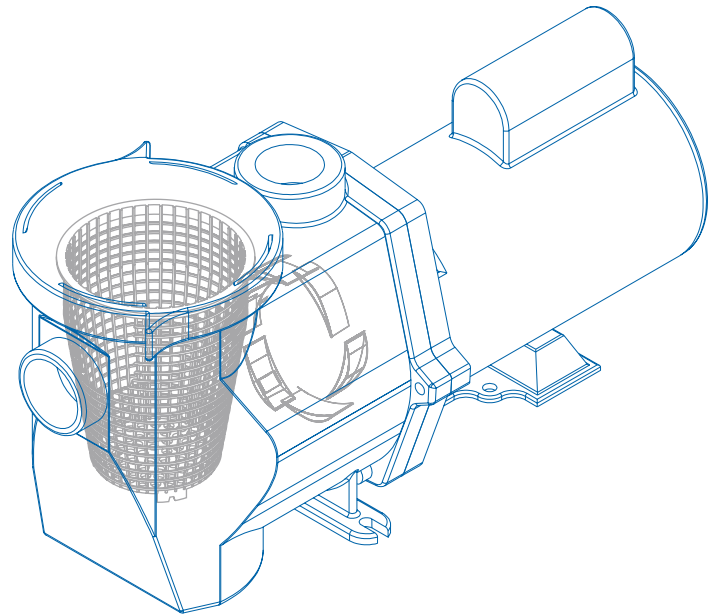
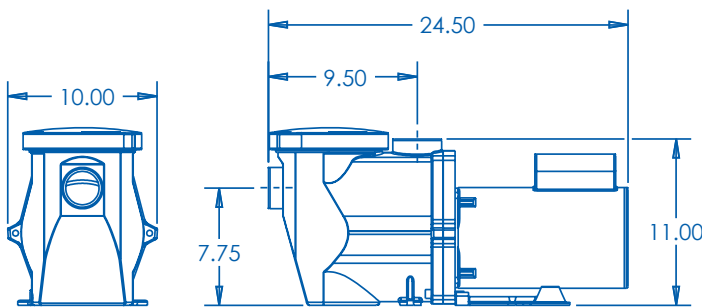


SEQUENCE® Power Primer

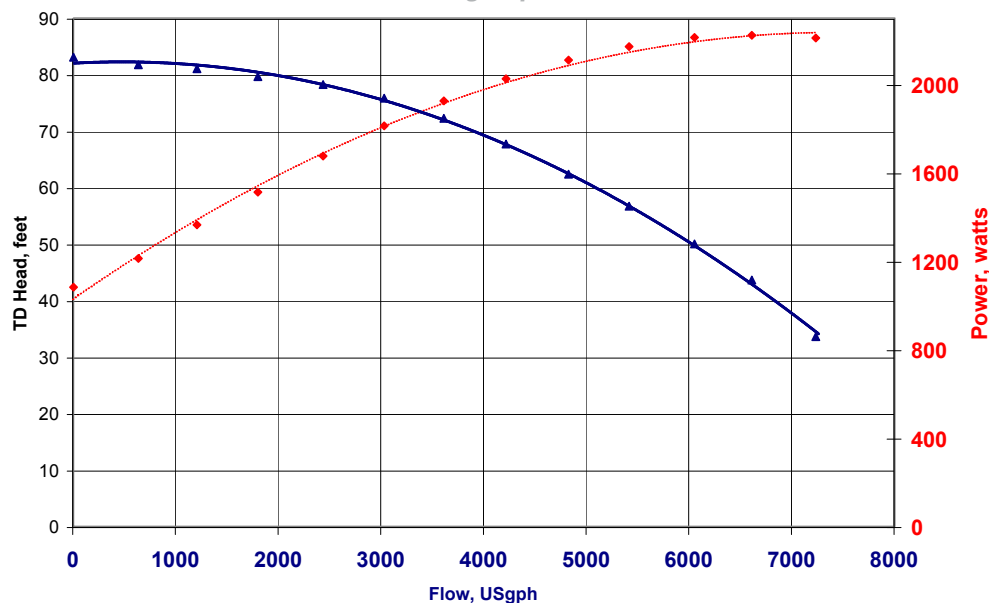


■ Power Primer Model 9300PRM83

Accelerate your system with another self priming high speed power series configuration. If you have an application requiring self priming, immense flow, and high head pressure capabilities, this series is the solution for you. The Sequence® Power series is made for those demanding applications where the constraint for high pressure is NOT subject to negotiation! Made in the USA. **Supplied with an 8-foot, 230V cordset**



(High-Speed)



Model 9300PRM83	
List price	\$809.00
Inlet	2"
Discharge	2"
Max flow, GPH	9300
Max head, Ft	83'
Max Power, Watts	2222
Max Current, Amps	11.4
115 / 230 @ Volts	230
Motor HP	2
Motor Type	56YZ
Motor Enclosure	ODP
Shipping Weight	56.00 LBS
Box Dimensions	30" X 15" X 15"



Proudly Made in the USA

Sustainable, Efficient.

©2008 SEQUENCE PUMPS A DIVISION OF MDM INC.