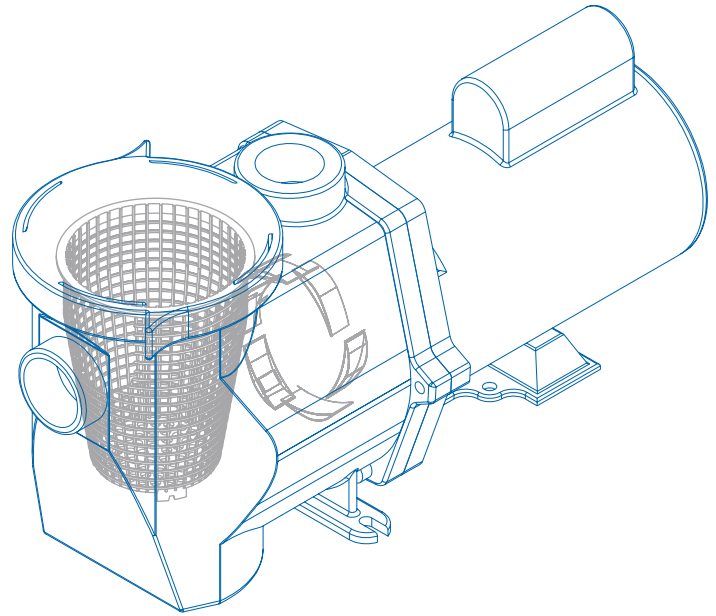
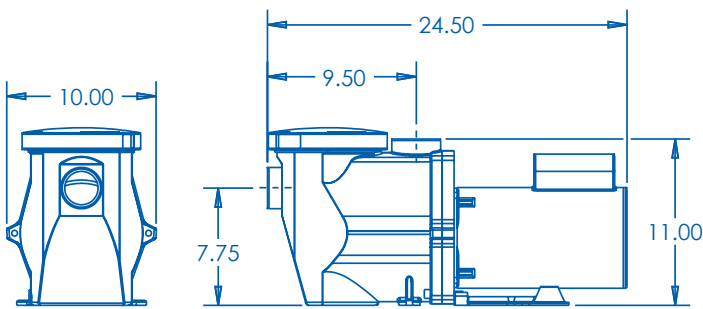


SEQUENCE® Power Primer



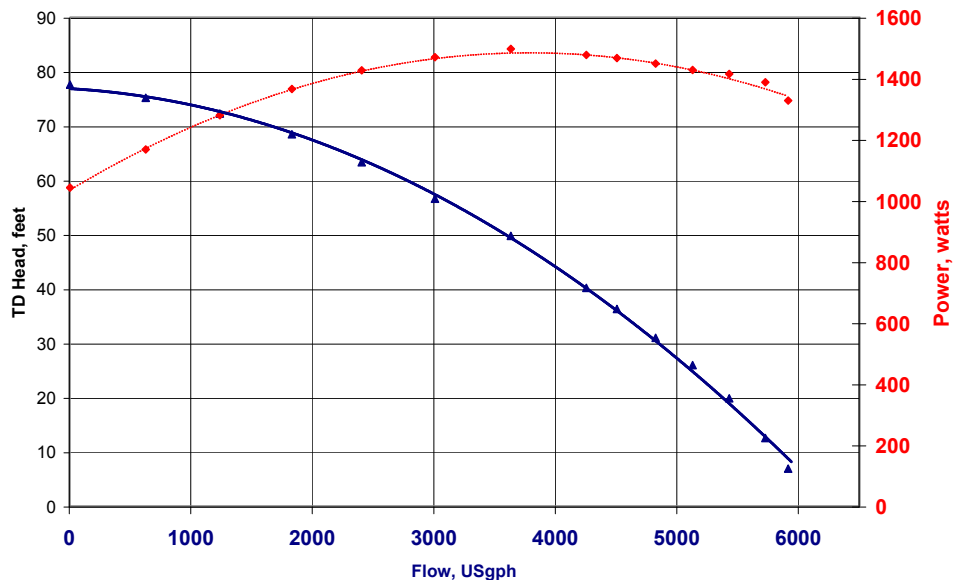
Power Primer Model 6300PRM77

Accelerate your system with another self priming high speed power series configuration. If you have an application requiring self priming, immense flow, and high head pressure capabilities, this series is the solution for you. The Sequence® Power series is made for those demanding applications where the constraint for high pressure is NOT subject to negotiation! Made in the USA. **Supplied with an 8-foot, 230V cordset**



(High-Speed)

Model 6300PRM77	
List price	\$779.00
Inlet	2"
Discharge	2"
Max flow, GPH	6300
Max head, Ft	77'
Max Power, Watts	1496
Max Current, Amps	8.7
115 / 230 @ Volts	230
Motor HP	2
Motor Type	56YZ
Motor Enclosure	ODP
Shipping Weight	56.00 LBS
Box Dimensions	30" X 15" X 15"



Proudly Made in the USA

Sustainable, Efficient.

©2008 SEQUENCE PUMPS A DIVISION OF MDM INC.