



Owners Manual

J Series Decorative Aerators



Contents

Important Safety Instructions. . . .	pg2
General Owner's Instructions. . . .	pg2
Unit Specs. . . .	pg3
Parts Included. . . .	pg3
Assembly Instructions. . . .	pg4
Nozzle Options & Pattern Sizes. . . .	pg7
Optional Premium Nozzles. . . .	pg8
Installation Instructions. . . .	pg9
Control Panel Installation. . . .	pg10
C85 / C95 non-metallic Wiring Diagram. . . .	pg12
3 Phase Startup Procedure. . . .	pg13
C85 / C95 non-metallic and 3 Phase Control Panel Timer. . . .	pg14
8400JF Replacement Parts. . . .	pg15
2.3JF Replacement Parts. . . .	pg16
3.1JF Replacement Parts. . . .	pg17
3.3JF Replacement Parts. . . .	pg18
5.1JF Replacement Parts. . . .	pg19
5.3JF Replacement Parts. . . .	pg20
7.3JF Replacement Parts. . . .	pg21
Maintenance Recommendations. . . .	pg22
Warranty Policy. . . .	pg23
Troubleshooting Tips. . . .	pg24
Customer Repair Form. . . .	pg26
Registration Information. . . .	pg28



3020379
ANSI/UL 778: 2016
Ed.6+R:22Feb2017
CSA C22.2 #108: 2014 Ed.5

Kasco Marine, Inc.
800 Deere Rd.
Prescott, WI 54021
PH (715) 262-4488
FAX (715) 262-4487
www.kascomarine.com

Rev. 02/08/18

THANKS

We at Kasco Marine, Inc. would like to both thank and congratulate you on your purchase of the JF model decorative aerator. We appreciate you choosing Kasco and for your purchase. Your decision to purchase Kasco's Decorative Aerator will not disappoint you. The JF Series Decorative aerator will be a great addition to your body of water. It will help improve the water quality by adding much needed oxygen and circulation. It will also enhance the aesthetics of the pond or lake with beautiful patterns. The lighting package (if purchased) will illuminate your aerator for beauty day and night. We thank you for choosing Kasco for your aerator needs and want you to be completely satisfied with your purchase.

Important Safety Instructions

Please read and follow these extremely important safety and handling instructions for your Kasco equipment. Following these instructions will help ensure your safety and the quality performance of your equipment.

- Under NO circumstances should anyone enter the water with the electrical equipment plugged in and/or in operation. All Kasco equipment is ETL approved to UL and CSA standards for safety in water. However, it is NEVER recommended to enter the water with the equipment in operation.
- Caution should be used when dealing with any electrical and/or moving equipment.
- NEVER run the unit out of water. It will damage the seals and create a dangerous situation for the operator.
- Extreme caution should be used around water, especially cold water, such as in Spring, Fall, and Winter. Cold water poses a hazard in and of itself.
- NEVER lift or drag the aerator by the power or light cord. If you need to pull the unit to the side of the pond, use the anchoring ropes.
- Do not use waders in deep ponds/lakes or ponds/lakes with drop-offs, drastic slopes, or soft bottom material.
- Do not use boats that tip easily for aerator installation, such as a canoe, and follow all boating safety rules and regulations, including wearing a PFD (Personal Flotation Device).
- Single phase aerators (8400, 3.1, and 5.1JF) are supplied with an internal grounding conductor and/or a grounding-type attachment plug. To reduce the risk of electrical shock, be certain the aerator is properly connected to the Kasco supplied control panel. (re-

fer to the C-85 & C-95 Control instruction)

- 3 phase aerators (2.3, 3.3, 5.3, 7.3JF) require a startup test after wiring to ensure proper rotation of the impeller. If the impeller is rotating in the opposite direction, the unit will not perform properly and internal damage to the unit may occur. (See 3 phase startup procedure)
- Control panels must be installed a minimum of 5ft(3m in Canada) from the inside wall of the pond, unless separated from the body of water by a fence wall, or other permanent barrier that will make the unit inaccessible to persons in the water.
- Control panels must be installed by a qualified electrician.
- Ground Fault Circuit Interrupters (GFCI) should be tested upon each installation and every month thereafter to ensure proper operation.

General Owner's Instructions

INSPECT THE SHIPMENT

Immediately inspect your Kasco aerator shipment for any visible damages. Also cross reference the parts supplied with the Parts Included sheet to check for shortages. Shortages should be reported immediately to your Kasco Marine distributor or representative and damages reported to your carrier and Kasco Marine.

ASSEMBLY & INSTALLATION

Please see the proper Assembly and Installation Instructions enclosed in this manual. Each is specific for your model and size of aerator. Note: Use a nylon tie to help keep the power cords for the unit and lights free of the impeller by tying each cord to either side of the float. If you have a light kit, make sure that the unit cord is tied to one side of the float and the light cord to the other for balance. Note: It is extremely important to test the GFCI in the control panel upon each installation/reinstallation of the unit to ensure proper functioning.

USE AND OPERATION

Kasco Aerators are designed and engineered for continuous duty, such as on fish farms or other aquaculture applications, or on-demand use, as needed in a recreational water feature.

During flotation operation, the water is pulled from 360° around the unit and from below the unit. The water is pulled upward and thrust through the flotation collar into the air.

Your Kasco Marine aerator is ready for immediate use (after installation). Make sure to keep the motor housing clean from hard water deposits and/or algae. (See Maintenance Recommendations)

It is extremely important that proper and sufficient voltage is supplied to the aerator motor. Unit should be protected by a GFCI. Control panels must be installed by a qualified electrician. (See Installation instructions).

Kasco aerators are lightweight, energy efficient, and easy to install and operate. We strive to produce products that exceed customer expectations. We hope you enjoy your Kasco aerator.

UNIT STORAGE

When storing units during the offseason, it is important to store them upside down if they are going to be sitting for long periods of time. Units that sit upright on a shelf for many months, or even years have a greater likelihood of seals drying out. Storing upside down will ensure oil is lubricating the seals and prevent drying.

Unit Specs

Single Phase 208-240 Volt	8400JF	3.1JF	5.1JF
Voltage	208-240	208-240	208-240
Amps	10.5	13.4	20
Lock rotor amps	40	61	97
Control box connection	C-85 Hardwire at shore	C-95 Hardwire at shore	C-95 Hardwire at shore
Aerator connection	plug or hardwire into C-85	plug or hardwire into C-85	hardwire into C-95

3 phase 208- 230 Volt	2.3JF	3.3JF	5.3JF	7.3JF
Voltage	208	208	208	208
Amps @208V	7.5	10.3	16.0	20.0
Lock rotor amps	40	70	100	100

3 phase 460 Volt	2.3HJF	3.3HJF	5.3HJF	7.3HJF
Voltage	460	460	460	460
Amps	3.6	5.1	7.8	10.0
Lock rotor amps	24	40	49	50

Parts Included

8400JF, 3.1JF, or 5.1JF Aerator

2.3JF, 3.3JF, or 5.3JF Aerator

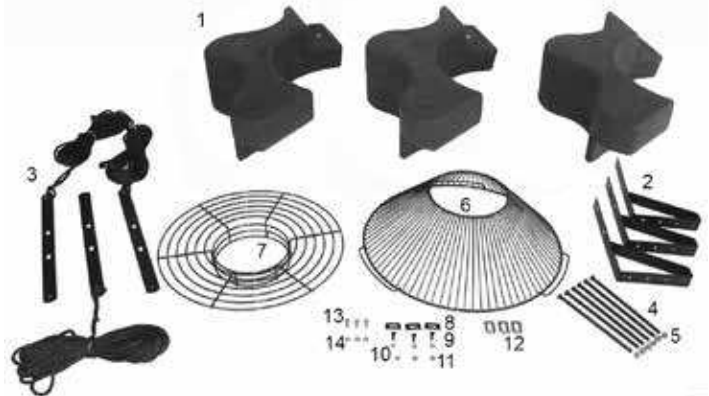
(Unit with cord or unit with Disconnect) (1)

A1. Cord in separate box (1) (depending on size of cord)

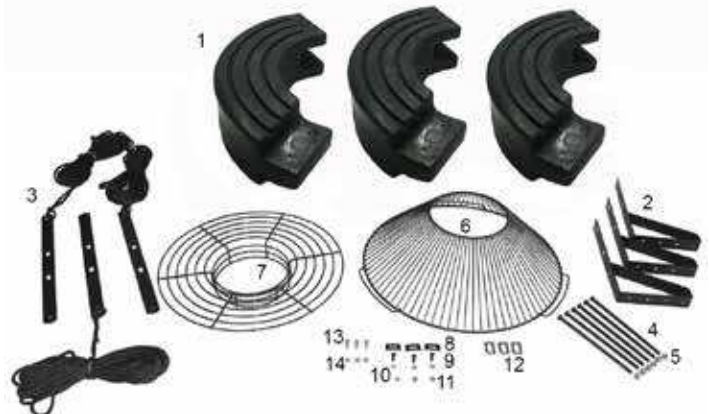
B. Float in separate box (1) (Diagram)

#	Item	Part #	Qty
1a	Float Sections (2, 3 HP only)	284001	3
1b	Float Sections (5, 7.5 HP only)	251001	3
2	Top Float Bracket	840157	3
3	Bottom Float Bracket w/Rope	840158	3
4	9.5" x 3/8" Bolt	840159	6
5	3/8" Lock Nut	462214	6
6	Bottom Screen	990162	1
7	Top Screen	840175	1
8	Top Screen Clip	223111	3
9	1/4-20 x 3/4" brass screw	664750	3
10	1/4" Lock Washer	840537	3
11	1/4" Nut	840536	3
12	Bottom Screen Clip	223240	3
13	3/8" x 1" Bolt	566250	3
14	3/8" lock washer	566230	3
15	Mesh screen	990170	1
16	Cable ties for mesh	415038	10

8400JF, 3.1JF, 2.3JF, 3.3JF parts diagram



5.1JF, 5.3JF, 7.3JF parts diagram



Control Panel in separate box (1) (if purchased)

Set of Interchangeable Nozzles (5) (Diagrams)

#	Item	Part #	Qty
1	#6 x 1/2" Self Tap Screw	820405	3
2	3/8" x 4" bolt	820090	1
3a	Linden Nozzle (2, 3 HP)	820110	1
3b	Linden Nozzle (5 HP)	820109	1
3c	Linden Nozzle (7.5 HP)	703320	1
4a	Redwood Y Insert (2 HP) (in #7)	820170	1
4b	Redwood Y Insert (3 HP) (in #7)	820332	1
4c	Redwood Y Insert (5 HP) (in #7)	820352	1
5	Juniper Nozzle	820140	1
6	Willow Nozzle	820150	1
7a	Redwood/Spruce Nozzle (2 HP)	820160	1
7b	Redwood/Spruce Nozzle (3 HP)	820330	1
7c	Redwood/Spruce Nozzle (5 HP)	820350	1
8a	Sequoia Nozzle (5 HP)	820130	1
8b	Sequoia Nozzle (7.5 HP)	703200	1
9	3/8" x 2.5" Bolt	820095	1

- #10 x 1" long or longer screw(s) for mounting the control panel (4)
- 7/16" Socket & Wrench (1)
- 7/16" Wrench (1)
- 9/16" Socket & Wrench (1)
- 9/16" Wrench or adjustable crescent wrench (1)
- Flat head screw driver (1)

Assembly Instructions

1. Remove all contents from package and place on a clean, flat surface. Inspect the shipment for any damages. If damages are found, immediately notify your carrier and your Kasco Marine, Inc. representative. Next, cross reference the parts included in the shipment with the Parts Included sheet in this manual. Make sure you have all the parts needed. If any shortages are found, contact your Kasco representative immediately.

2. Arrange the three Float Sections (Part #B1) upright (plug on bottom) so the overlap of one section aligns with the next section and loosely push the three sections together to form a continuous ring.

8400JF, 3.1JF, 2.3JF, 3.3JF Nozzle Diagram



5.1JF, 5.3JF Nozzle Diagram



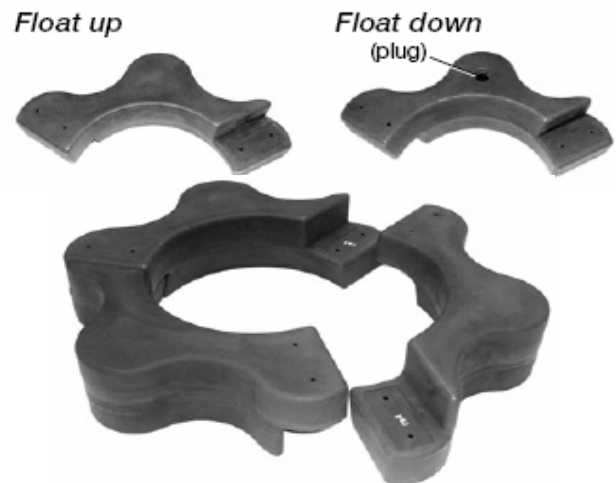
7.3JF Nozzles include linden and sequoia.

NOTE: Extra hardware may be included.

Tools & Supplies Needed

- Anchors or stakes for installing unit (3)
- Philips head screw driver for mounting C-85
- Electrical Supply near pond on a post with room for mounting the control panel
- Three 12" galvanized pipe for weighting ropes (optional)

8400JF, 3.1JF, 2.3JF, 3.3JF



5.1JF, 5.3JF, 7.3JF



3. Position one Top Float Bracket (Part #B2) so that the bolt holes in the bracket align with the bolt holes in the two adjoining float sections and insert two 9.5" Coated Bolts (Part #B4) through the assembly. This may require some minor repositioning of the float sections as you push the bolt all the way through. Do not force the bolt through. Repeat for the remaining two joints.



4. Turn the assembly upside down and place the Bottom Float Brackets (Part #B3) over the bolts, the ends of which should now be extending through the assembly. Loosely install the six 3/8" Lock Nuts (Part #B5) on the ends of the bolts (do not tighten yet).



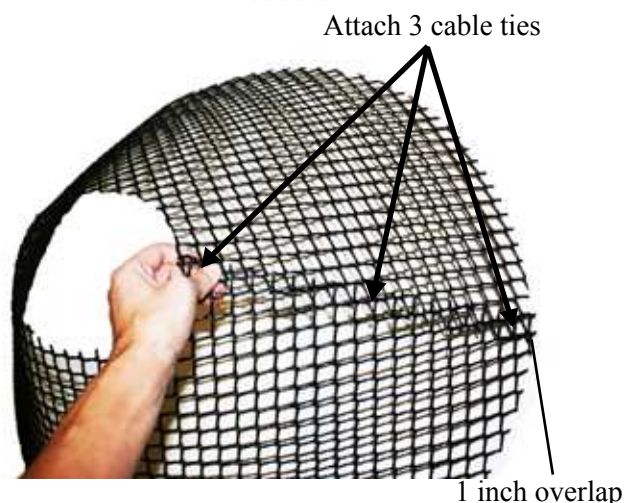
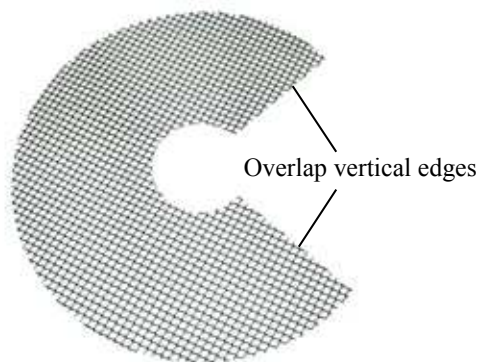
5. Rest the float on the base plate of the unit. Connect the float to the base plate using the 3/8" x 1" bolt (Part #B13) and 3/8" lock washer (Part #B14). Tighten using a 9/16" wrench.



6. Center the Top Screen (Part #B7) inside the three Top Float Brackets. Attach the screen by spanning each Top Screen Clip (Part #B8) across the two innermost rings on the screen and the hole in the float bracket. Insert the 3/4" Brass Screws (Part #B9) and attach with 1/4" Lock Washers (Part #B10) and 1/4" Nuts (Part #B11) to secure the screen to the float assembly.

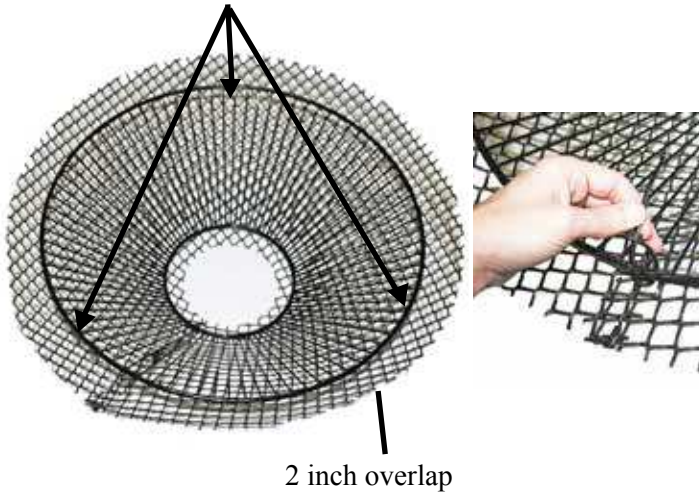


7. Take flat mesh pattern and wrap into cone shape by overlapping both vertical edges by approximately 1 inch and aligning top and bottom edges of mesh. Secure mesh vertical seam at the top, bottom and middle using (3) cable ties.



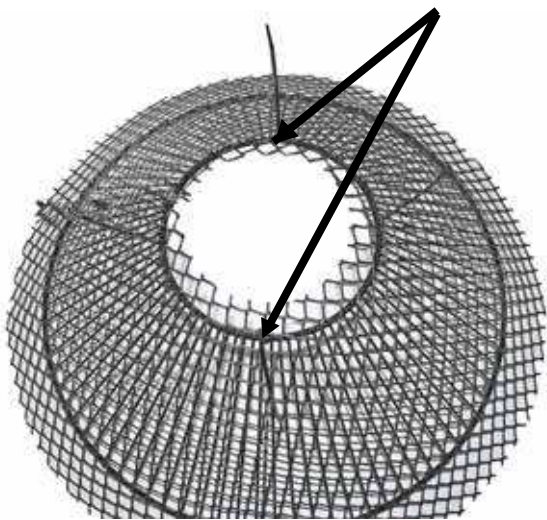
Place mesh cone on flat surface with small diameter at bottom. Insert existing stainless steel screen centered inside mesh cone with approximately 2 inches of mesh overlap to the top ring of the screen. Attach mesh to the top ring of the screen in (3) equally spaced locations using cable ties.

Attach 3 cable ties to top ring equally spaced



Flip mesh and screen assembly over and use remaining cable ties to secure mesh to small bottom diameter of the stainless steel ring.

Attach 2 cable ties to bottom ring equally spaced



Clip off excess cable tie material once mesh is secured into place.



Position the Bottom Screen (Part #B6) over the float so the motor housing (can) passes through the large hole in the center of the screen. Remove the center three 3/8" Lock Nuts from the 9" Bolts and place the

Bottom Screen Clips (Part #B12) over the bolts as shown. The power cord can be slid under the bottom screen between the float and screen where two float sections come together before the 3/8" Lock Nuts are replaced. Replace the three inside Lock Nuts and tighten all 3/8" Lock Nuts using the 9/16" wrench and socket.



8. Return the unit to its upright position and select a nozzle (See Nozzle and Pattern Options). Insert the Shaft Bolt (Part #D2) into the Nozzle Head so it fits snugly into the molded socket for those nozzles that use the bolt. Install the Nozzle by threading it into the inner cone of the pump. Make sure to tighten the Nozzle all the way down.

NOTE: If the nozzle does not look centered, see the steps in the troubleshooting section for adjusting the inner cone that the nozzle screws into.



To install the Redwood nozzle, make sure the Y Insert (Part #D4) is installed and seated properly into the Nozzle Housing (Part #D7). Push the nozzle down over the cone assembly (it may require light taps with a rubber mallet to seat properly). Next, use the 3 Self Tapping Screws (Part #D1) provided in the 3 holes on the nozzle and tighten the screws into the cone assembly. Once you feel resistance, two more turns will be sufficient. To install the Spruce nozzle, follow the same steps, but do not install the Y Insert.



- The Spruce nozzle must have the Insert removed prior to nozzle placement.
- The Birch display does not require a nozzle.

The **Redwood** nozzle uses the 3 self tapping screws to attach over the pump housing and the Y Insert must be installed.

9. On power cord lengths of 100 feet or longer with the watertight Quick Disconnect, the power cord is shipped separately. It should now be attached to the stub cord by lining up the male and female halves of the disconnect and hand tightening the blue collar. On these cords, the Additional Strain Relief should be attached to one of the lower float brackets as pictured. If you receive a 3 chain strain relief (6 or 8 gauge cord), attach one chain to each of the three lower float brackets. If there is not Strain Relief, use the Nylon Cable Tie provided to secure the cord to a rope to prevent damage by the propeller. Double check the Quick Disconnect to make sure the threaded collar has not come loose in shipping before placing in the water. If installing a new Quick Disconnect, please refer to Quick Disconnect instructions. Also, at this time, lights can be installed if purchased.

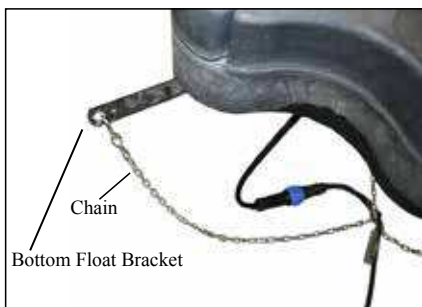


Model	HP	Height	Width
8400, 2.3	2	22'	7'
3.1, 3.3	3	24'	8'
5.1, 5.3	5	26'	8'

The **Linden** nozzle (marked L inside one of the fins) uses the 3/8" x 4" bolt.



1 chain strain relief



Chain
Bottom Float Bracket

3 chain strain relief



Model	HP	Height	Width
8400, 2.3	2	18'	30'
3.1, 3.3	3	19'	35'
5.1, 5.3	5	20'	35'
7.3	7.5	24'	28'

Nozzle Options & Pattern Sizes

NOTE: Pattern sizes listed are approximate in feet. Variations in voltage caused by regional electrical differences or voltage drop due to long power cords may result in reduced pattern sizes.

- All five (or six) nozzles are included with the package.
- The Linden, Willow, and Juniper nozzles use the 3/8" x 4" bolt.
- The Sequoia (5.1JF only) uses the 3/8" x 2.5" bolt.
- The Redwood nozzle must have the Y Insert installed prior to nozzle placement.

The **Willow** nozzle (marked W on the inside of the cone) uses the 3/8" x 4" bolt



Model	HP	Height	Width
8400, 2.3	2	12.5'	28'
3.1, 3.3	3	13'	35'
5.1, 5.3	5	14'	36'

The **Juniper** nozzle (marked with J on in inside of the nozzle cone) uses the 3/8" x 4" bolt.



Model	HP	Height	Width
8400, 2.3	2	8'	46'
3.1, 3.3	3	9'	48'
5.1, 5.3	5	10'	50'

The **Spruce** nozzle uses the three self tapping screws to attach over the pump housing and the Y Insert must be removed.



Model	HP	Height	Width
8400, 2.3	2	19'	10'
3.1, 3.3	3	21'	13'
5.1, 5.3	5	24'	15'

The **Birch** display does not use a nozzle or bolt. It is the aerator unit running without any nozzle and allows for the best flow rate and oxygen transfer!



Model	HP	Height	Width
8400, 2.3	2	12'	11'
3.1, 3.3	3	14.5'	10'
5.1, 5.3	5	14'	12'
7.3	7.5	14.5'	13'

The **Sequoia** nozzle (marked S on the inside of the cone) uses the 3/8" x 2.5" bolt.

5.1JF, 5.3JF ONLY



Model	HP	Height	Width
5.1, 5.3	5	21'	10'
7.3	7.5	26'	10'

Optional Premium Nozzles

The following are optional premium nozzles available for the J Series Decorative Aerators. Premium nozzles offer splendid beauty above and beyond our included patterns.

Madrone Premium Nozzle:



Magnolia Premium Nozzle:



Palm Premium Nozzle:



Mahogany Premium Nozzle:



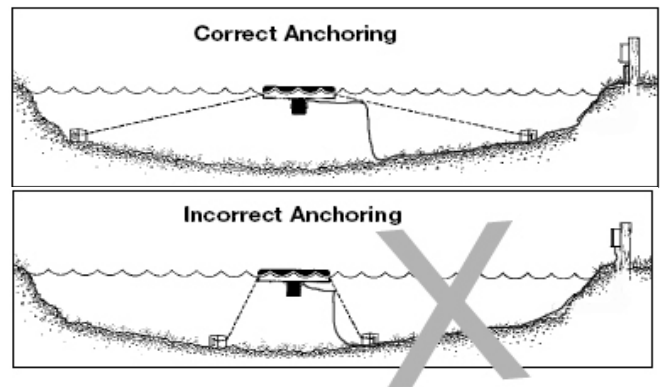
Contact your authorized Kasco distributor or visit www.kascomarine.com for more information.

Installation Instructions

Before installing 3 phase units (2.3, 3.3, 5.3, 7.3) into the pond, please refer to 3 phase startup procedure.

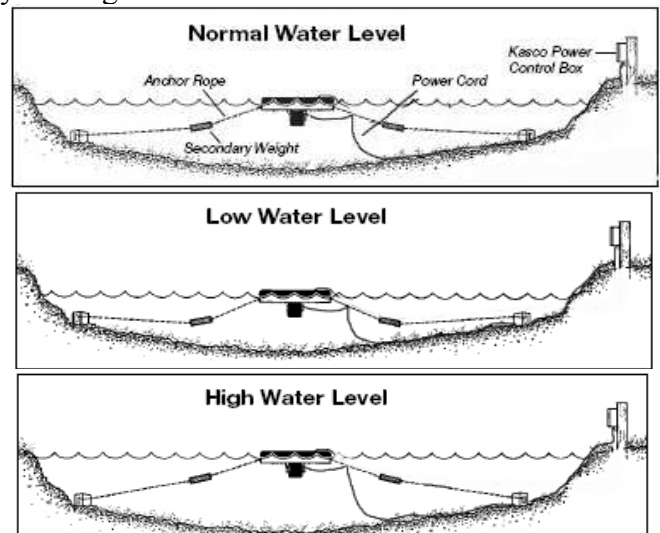
Use the ropes to position the aerator in the desired location in the pond/lake. Anchor the ropes or secure them to the shoreline so the ropes are free of slack, but not tight. To prevent twisting of the unit due to torque, you should place the anchor at least 3 feet from the float for each foot of depth (Ex. A 6 foot deep pond would require an anchor 18 feet horizontally from the float.)

For ease of removal, you may choose to keep at least one anchor within reach from shore, just below the water's surface.



(ALTERNATE INSTALLATION)

In ponds where the water level fluctuates significantly, you may need to suspend a small weight (12" of 1" galvanized pipe works well) at the mid-point of the rope to take up any slack as the water level drops. The weight should be light enough so the aerator can rise as the water level rises. This can also help hide ropes by sinking them further below the surface.



Control Panel Installation

STEP ONE

Inspect the panel for any damage and any components that may have loosened during shipping.

Control panel must be installed a minimum of 5ft (3m in Canada) from the inside wall of the pond, unless separated from the body of water by a fence wall, or other permanent barrier that will make the unit inaccessible to persons in the water.

Install the control panel to a post structure, side of a building, or other reliable means. This structure must support the panel and prevent movement/flexing of the panel. Use #10 x 1" or longer screws in the mounting points of the control panel to secure to the post structure. NOTE: The control panel must be hung upright in order to be waterproof. It is also advised to mount the panel out of direct sunlight if possible. Mounting the panel in a North direction will prevent heat buildup inside the panel. Also, mount the panel above the potential flood plain to prevent water entry during a possible flood event.

STEP TWO

Set Timer in the control panel to desired ON and OFF times per the Instructions on the door label or the instructions in this manual.

STEP THREE

Electrical Service wiring:

Follow all local and national electrical codes for this installation and Consult a qualified electrician or service person if needed.

All electrical connections to this panel must be made with proper strain relief cord grip fittings or with conduit connections as required by local and national electric codes. The bottom of the enclosure is reserved for field installation of these connections.

3 phase: (2.3, 3.3, 5.3, 7.3)

Refer to your 3 phase control panel instructions.

Single Phase: (8400, 3.1, 5.1)

C85 / C95 non-metallic control panel:

Incoming power connection: (Power feed)

This control panel requires a 240V or 208V - 4 wire service (L1, L2, N, & G) and must be fed with a power circuit protected by a circuit breaker or a fused disconnect switch to provide circuit protection and a

disconnection means.

C-85 panel requires at least a 30amp protected circuit feeding the panel.

C-95 panel requires at least a 40amp protected circuit feeding the panel.

Connect your power feed as detailed in the wiring diagram provided with this panel.

L1 connects to Terminal	#1
L2 connects to Terminal	#2
N connects to Terminal	N
G connects to Terminal	GROUND - located on chassis plate

Be sure to provide adequate sized power conductors to prevent excessive voltage drop. Consult with your electrician to properly size power feed conductors. Use copper conductors only.

Aerator power cord connection:

Your aerator (pump) will be provided with a flexible power cord for connection to this control panel. If the power cord has a plug, you will need to cut it off. The power cord conductors (black, white, green) will need to be stripped back 1/2". The outer black jacket should be stripped back at least 3 inches. Follow the connection diagram for terminating these three wires to the terminal blocks in the control panel.

Black connects to Terminal	#4
White connects to Terminal	#5
Green connects to Terminal	G

Light Kit connection:

If you purchased a Kasco light kit(s) for your aerator, follow the light kit installation instructions for mounting the light kit(s) to the aerator float.

This control panel requires a hardwire connection for the light kit(s). To connect the light kit(s) you will need to cut off the power cord plug that is molded to the light kit power cord. Strip back the black outer jacket of the light kit power cord at least 3 inches to reveal the three internal wires of the power cord. (black, white, and green conductors). These three wires will need to be stripped back 1/2". Follow the connection diagram for terminating these three wires to the terminal blocks in the control panel.

Light kit connections:

Black connects to Terminal #6

White connects to Terminal #7

Green connects to Terminal G

STEP FOUR:

Test the GFCB with the test button now and every 30 days.

If lights are installed, they can now be installed per Instructions included with the lights.
Once completed, power can be restored to the panel.

Record the following data while the Aerator is operating in the water under load:

Voltage:

L1-L2 _____

L1-N _____

L2-N _____

Amperage:

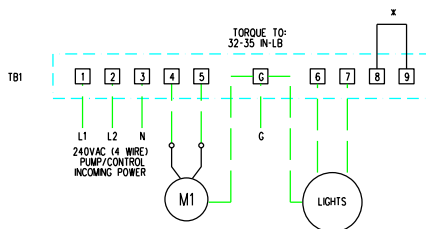
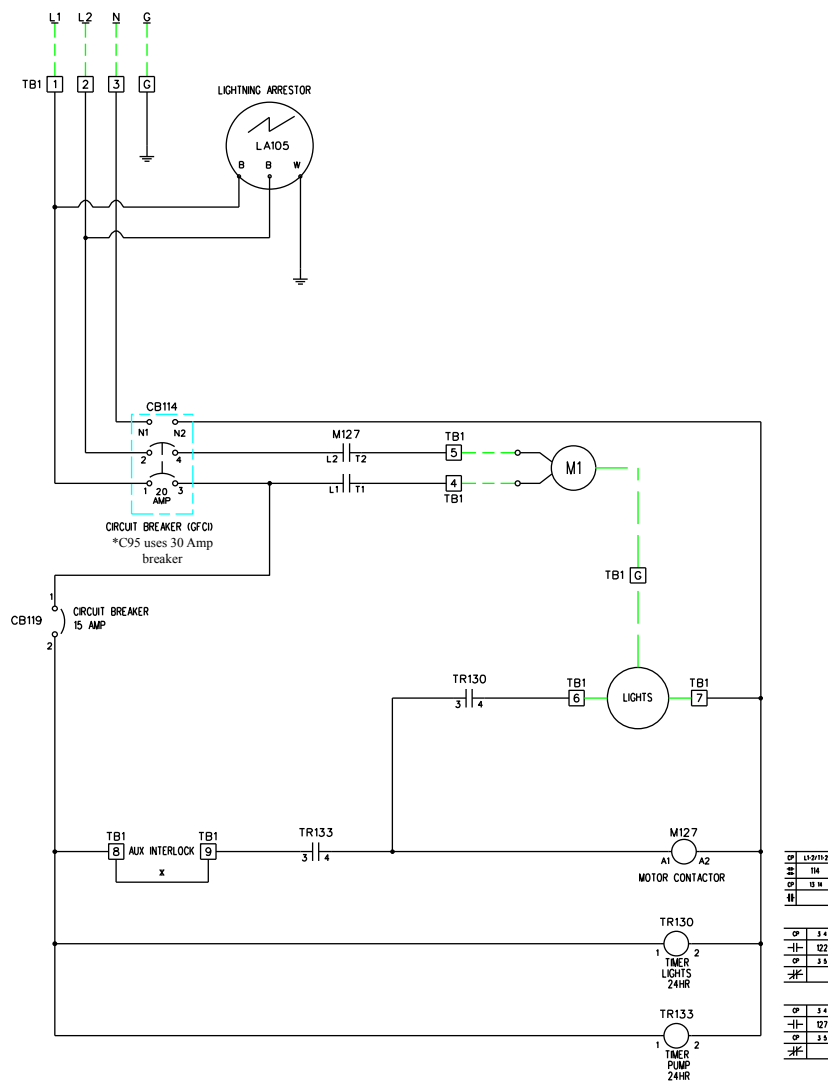
L1 _____

L2 _____

Date installed ____/____/____

Any unauthorized modifications to this control panel will void the UL listing and the Kasco warranty.

C85 / C95 non-metallic Wiring Diagram



* REMOVE FACTORY INSTALLED AUX INTERLOCK JUMPER WIRE FROM TB1:8 AND TB1:9 IF EXTERNAL DEVICE IS REQUIRED. THE EXTERNAL INTERLOCK DEVICE (WIND CONTROLLER, LEVEL CONTROLLER, REMOTE SWITCH, ETC.) NON POWERED DRY CONTACT (NORMALLY CLOSED) MUST PROVIDE DELAY CIRCUITRY TO PREVENT AERATOR SHORT CYCLING, FAILURE TO DO SO WILL CAUSE AERATOR DAMAGE.

OVERLOAD PROTECTION AND MAIN DISCONNECT PROVIDED BY OTHERS AND MUST BE SIZED ACCORDING TO PUMP/MOTOR MANUFACTURING SPECIFICATIONS.

TEMPERATURE RATING OF FIELD INSTALLED CONDUCTORS MUST BE AT LEAST 140 DEG. F. (60 DEG. C.). TERMINAL STRIPS AND GROUND LUG USE COPPER CONDUCTORS ONLY.

CONNECT GROUND LUG IN PANEL TO A SECURE EARTH GROUND

DASHED LINES REPRESENT FIELD WIRING



FIELD WIRING SECTION

3 Phase Startup Procedure

If a Kasco Control Panel is not provided, please refer to the following warnings:

When inherent overheating protection is not provided: use with approved motor control that matches motor input in full load amperes with overload element(s) selected or adjusted in accordance with control instructions.

Utiliser un démarreur approuvé convenant au courant à pleine charge du moteur et dont les éléments thermiques sont réglés ou choisis conformément aux instructions qui l'accompagnent.

When inherent overheating protection is provided: use with approved motor control that matches motor input in full load amperes. See table below.

Utiliser un démarreur approuvé convenant au courant à pleine charge du moteur.

Note: The motor input in full load amperes is the marked value or the service factor amperes, shown on the nameplate.

3 phase 208-230 Volt	2.3JF	3.3JF	5.3JF	7.3JF
Full load amps	7.5	10.3	16.0	20.0

3 phase 460 Volt	2.3HJF	3.3HJF	5.3HJF	7.3HJF
Full load amps	3.6	5.1	7.8	10.0

Control panels must be installed by a qualified electrician.

If unit is connected to a circuit protected by a fuse, use a time-delay fuse with this pump.

You must verify motor rotation before installing the unit in the water.

3phase Kasco units will run in a clockwise rotation when looking down at the impeller. On J series units the upper pump housing must be removed to see the impeller. Stand clear of the impeller while verifying rotation. If a Kasco 3 phase panel is supplied, follow the instructions with the panel. Also follow the steps below.

Electrician:

1. Verify all screw terminal connections are tightened to specified torque setting prior to energizing the panel.

2. Verify the electrical service (voltage and Phase) matches the control panel and aerator nameplates ratings. Refer to the control panel instructions and schematics for installation details.
3. Verify all switches, circuit breakers, and motor starters are in the OFF position
4. Connect electrical service to this control panel as shown in the electrical schematic that came with the panel.
5. Connect the unit power cord to this panel as shown in the electrical schematic.
6. Set the motor starter overload to the FLA rating on the aerator nameplate.
7. Pump rotation: Remove the upper pump housing (if you have a J series aerator) by removing the three screws attaching it to the lower pump housing. The pump rotation is clockwise when looking down at the impeller. Apply power to the control panel. Turn on the 15amp control circuit breaker, and motor starter.
8. Momentarily turn the Hand-Off-Auto switch to Hand. This will run the aerator. Do not run the aerator for more than a few seconds on shore. If the rotation is not correct. Disconnect and lock out power from the control panel. Swap any two of the aerator power cord wires in the panel. This will cause the motor to reverse direction. Reapply power to the panel and verify the rotation is clockwise.
9. Once rotation is verified, with the power disconnected and locked out again, reinstall the upper pump housing. Run the aerator one more time momentarily on shore to ensure the housing was reinstalled correctly. Disconnect and lock out power again and continue with installation of the aerator as detailed in the aerator owner's manual.

Record the following data while the unit is operating in the water under load:

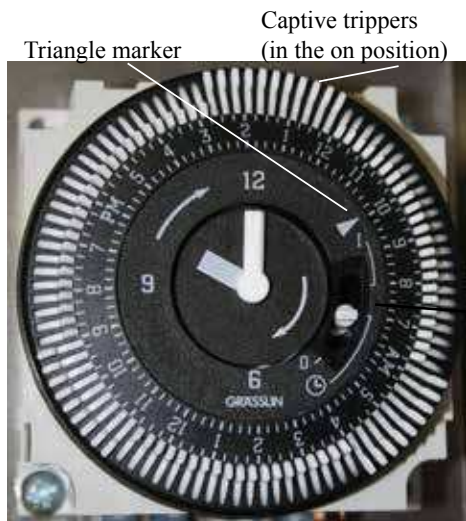
Voltage:	Amperage:
L1-L2 _____	L1 _____
L1-L3 _____	L2 _____
L2-L3 _____	L3 _____

Current unbalance should not exceed 5% at full load

C85 / C95 non-metallic and 3 Phase Control Panel Timer

TIME CLOCK SETTING

To set the current time, turn the inner dial clockwise. Do not set the time by rotating "outer" dial. Turn the minute hand or small plastic inner dial clockwise until the time of day on the outer dial is aligned with the triangle marker on the inner dial (two o'clock position). Example for 10:00 AM. Turn the minute hand clockwise until 10:00 AM is aligned with the triangle on the inner dial. The hour and the minute dial will show exactly 10:00.



PROGRAMMING

The 24-Hour dial has quarter-hour divisions and AM/PM indications. The time switch is programmed by pushing the captive trippers to the outer ring position for the entire period that the aerator is to be turned "ON", i.e., fifteen minutes for each tripper on the 24-Hour dial. When the tripper is pushed to the inside, the switch is in the "OFF" position.

PROGRAMMING WITH MANUAL OVERRIDE SWITCH

Your Timer may have a 3-way manual switch or a 2-way manual switch.

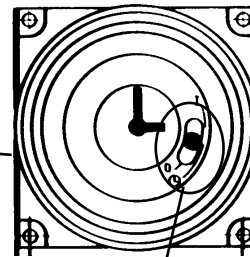
AUTOMATIC MODE

In order to operate the time clock in the automatic mode, the manual switch must be in the automatic position- see diagram.

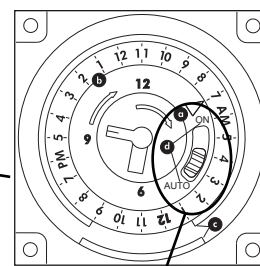
MANUAL MODE

For the 3-way switch, with the manual override switch in the lower position, marked "O", the time clock output will remain Permanently OFF. In the upper position, marked "I", the time clock output will remain permanently ON.

For the 2-way switch, with the manual override switch in the lower position, marked "ON" the time clock output will remain permanently ON.



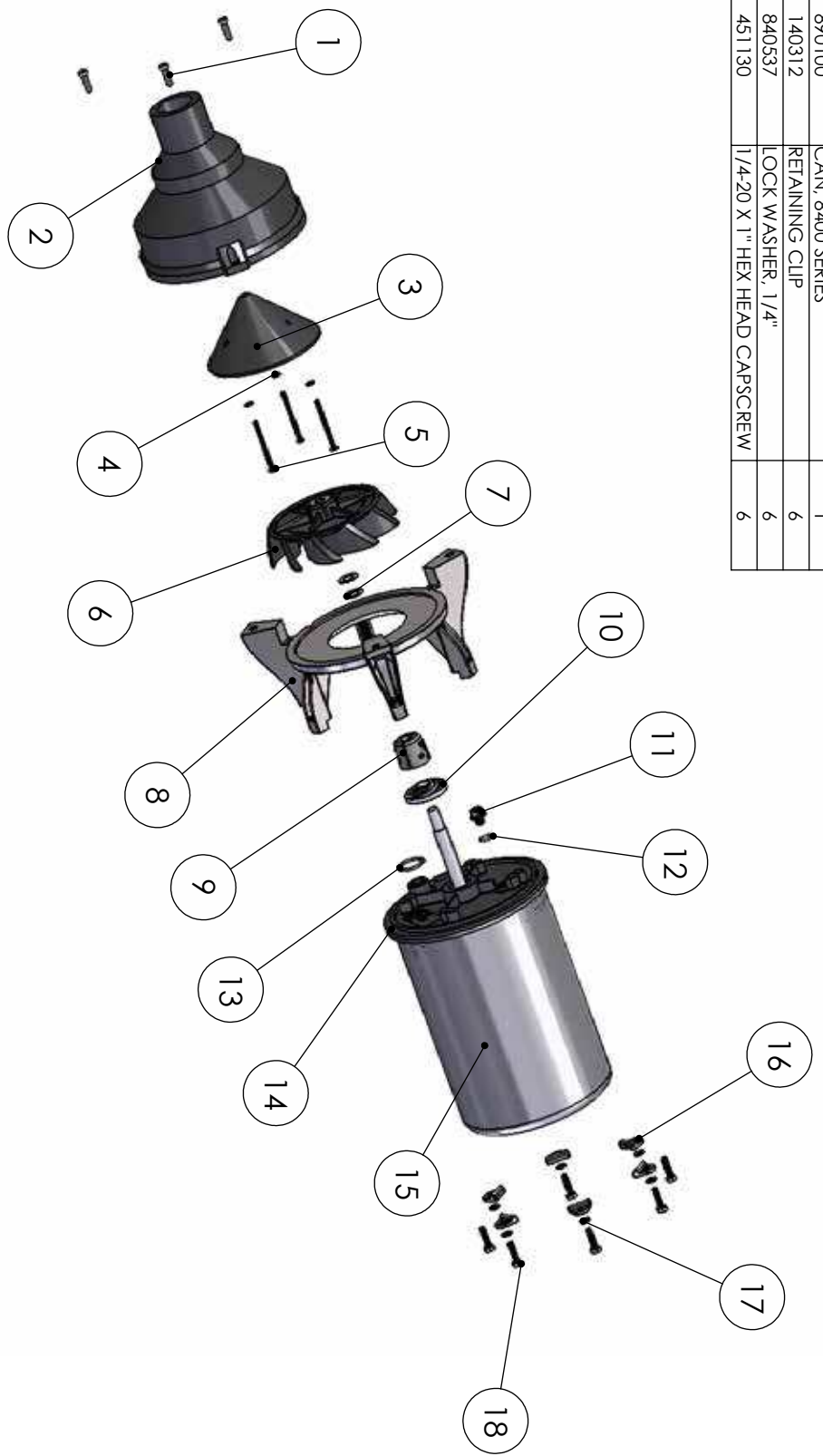
Override Mode	
3-way manual override switch	I = permanent ON
	⊕ = automatic
	O = permanent OFF



Override Mode	
2-way manual override switch	ON - Permanently ON
	AUTO - automatic

8400JF Replacement Parts

ITEM NO.	PART NO.	DESCRIPTION	QTY.
1	475628	SCREW, FILLISTER HEAD	3
2	840250	JET PUMP HOUSING	1
3	840240	2-HP HOUSING CONE	1
4	475626	FLAT WASHER, #10	3
5	475625	SCREW, 10-24 X 2.5" LONG	3
6	840260	IMPELLER, 8400	1
7	475642	WASHER, 1/2"	2
8	840235	BASEPLATE, 2,3,5 HP J SERIES	1
9	840475	ZINC ASSEMBLY	1
10	840510	DEBRIS FLINGER, .625 DIA. SHAFT	1
11	990280	SEALING PLUG	1
12	990281	O RING	1
13	990275	O RING, CORD	1
14	820700	TOP ASSEMBLY, 8400	1
15	890100	CAN, 8400 SERIES	1
16	140312	RETAINING CLIP	6
17	840537	LOCK WASHER, 1/4"	6
18	451130	1/4-20 X 1" HEX HEAD CAPSCREW	6



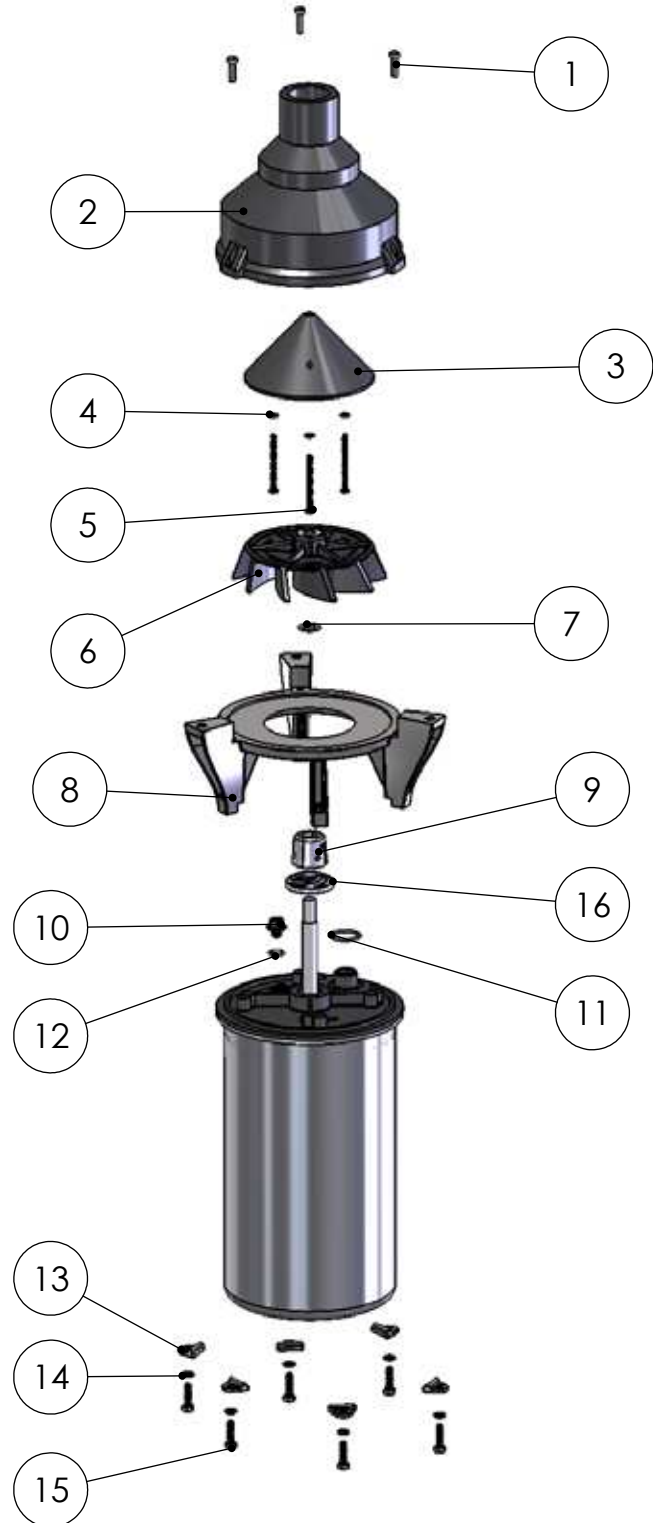
ITEM NO.	PART NO.	DESCRIPTION	QTY.
1	475628	SCREW, FILLISTER HEAD	3
2	840250	JET PUMP HOUSING	1
3	840240	2 HP HOUSING CONE	1
4	475626	FLAT WASHER, #10	3
5	475625	SCREW, 10-24 X 2.5" LONG	3
6	360100	IMPELLER LOCK NUT	1
7	840261	2 HP IMPELLER	1
8	475642	WASHER, 1/2"	2
9	840235	BASEPLATE, 2,3,5 HP J SERIES	1
10	840475	ZINC ASSEMBLY	1
11	990290	O RING	1
12	990280	SEALING PLUG	1
13	990281	O RING	1
14	140312	RETAINING CLIP	6
15	840537	LOCK WASHER, 1/4"	6
16	451130	1/4-20 X 1" HEX HEAD CAPSCREW	6
17	840510	DEBRIS FLINGER, .625 DIA. SHAFT	1

2.3JF Replacement Parts



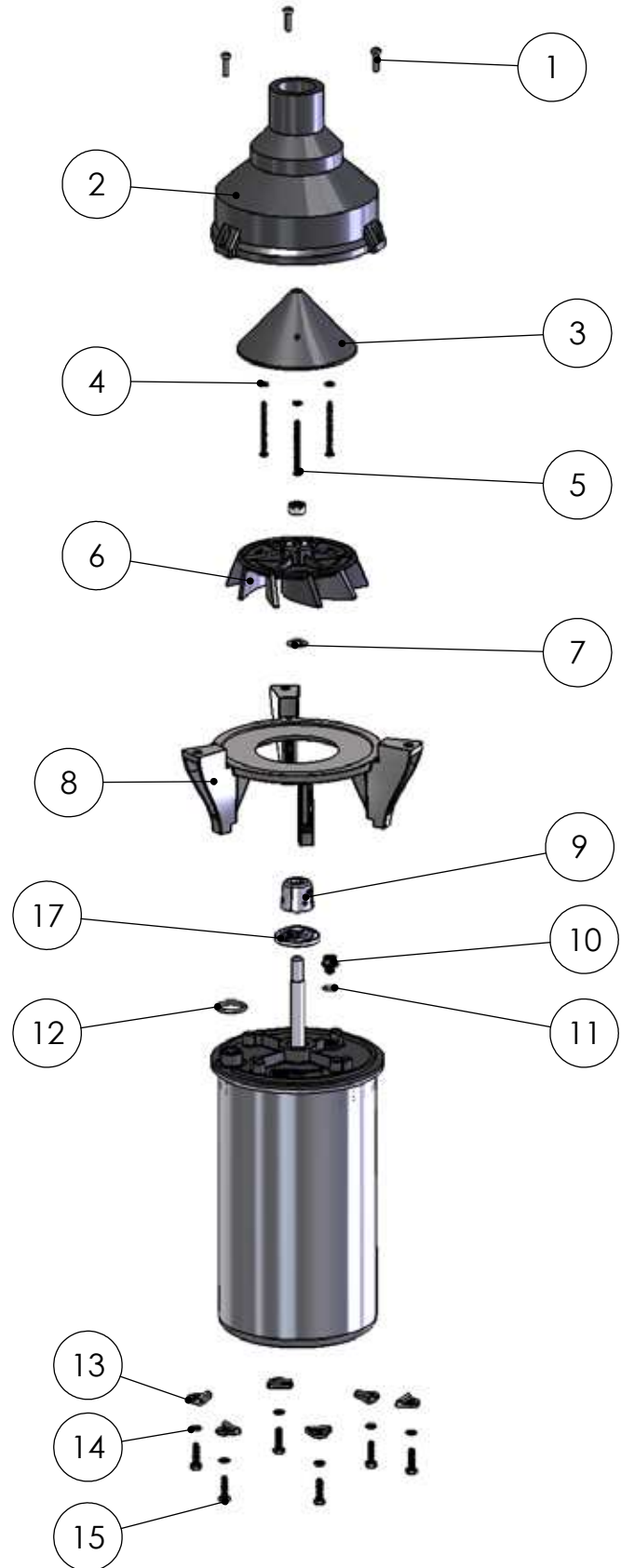
ITEM NO.	PART NO.	DESCRIPTION	3 HP/QTY.
1	475628	SCREW, FILLISTER HEAD	3
2	840250	JET PUMP HOUSING	1
3	840240	2 HP HOUSING CONE	1
4	475626	FLAT WASHER, #10	3
5	475625	SCREW, 10-24 X 2.5" LONG	3
6	840360	IMPELLER, 3 HP	1
7	475642	WASHER, 1/2"	1
8	840235	BASEPLATE, 2,3,5 HP J SERIES	1
9	840475	ZINC ASSEMBLY	1
10	990280	SEALING PLUG	1
11	990275	O RING, CORD	1
12	990281	O RING	1
13	140312	RETAINING CLIP	6
14	840537	LOCK WASHER, 1/4"	6
15	451130	1/4-20 X 1" HEX HEAD CAPSCREW	6
16	840510	DEBRIS FLINGER, .625 DIA. SHAFT	1

3.1JF Replacement Parts



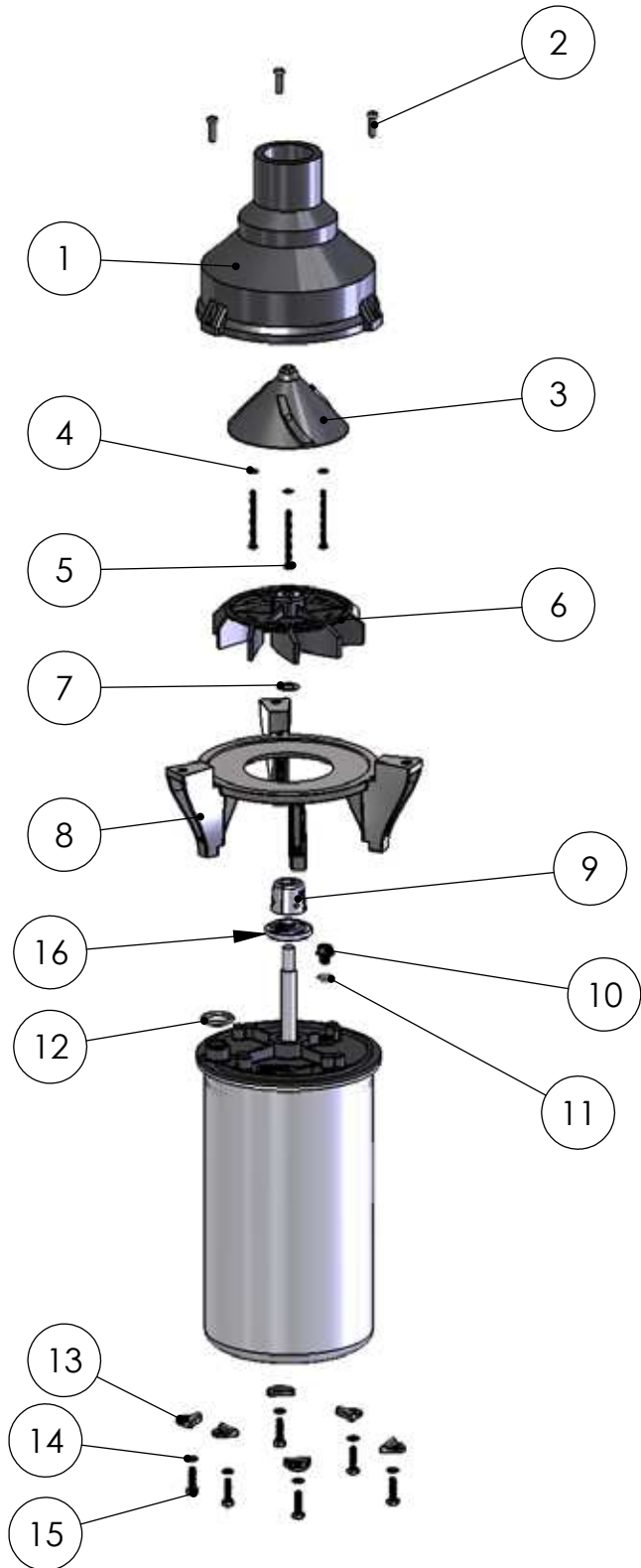
ITEM NO.	PART NO.	DESCRIPTION	3 HP/QTY.
1	475628	SCREW, FILLISTER HEAD	3
2	840250	JET PUMP HOUSING	1
3	840240	2 HP HOUSING CONE	1
4	475626	FLAT WASHER, #10	3
5	475625	SCREW, 10-24 X 2.5" LONG	3
6	840360	IMPELLER, 3 HP	1
7	475642	WASHER, 1/2"	1
8	840235	BASEPLATE, 2,3,5 HP J SERIES	1
9	840475	ZINC ASSEMBLY	1
10	990280	SEALING PLUG	1
11	990281	O RING	1
12	990290	O RING	1
13	140312	RETAINING CLIP	6
14	840537	LOCK WASHER, 1/4"	6
15	451130	1/4-20 X 1" HEX HEAD CAPSCREW	6
16	360100	IMPELLER LOCK NUT	1
17	840510	DEBRIS FLINGER, .625 DIA. SHAFT	1

3.3JF Replacement Parts



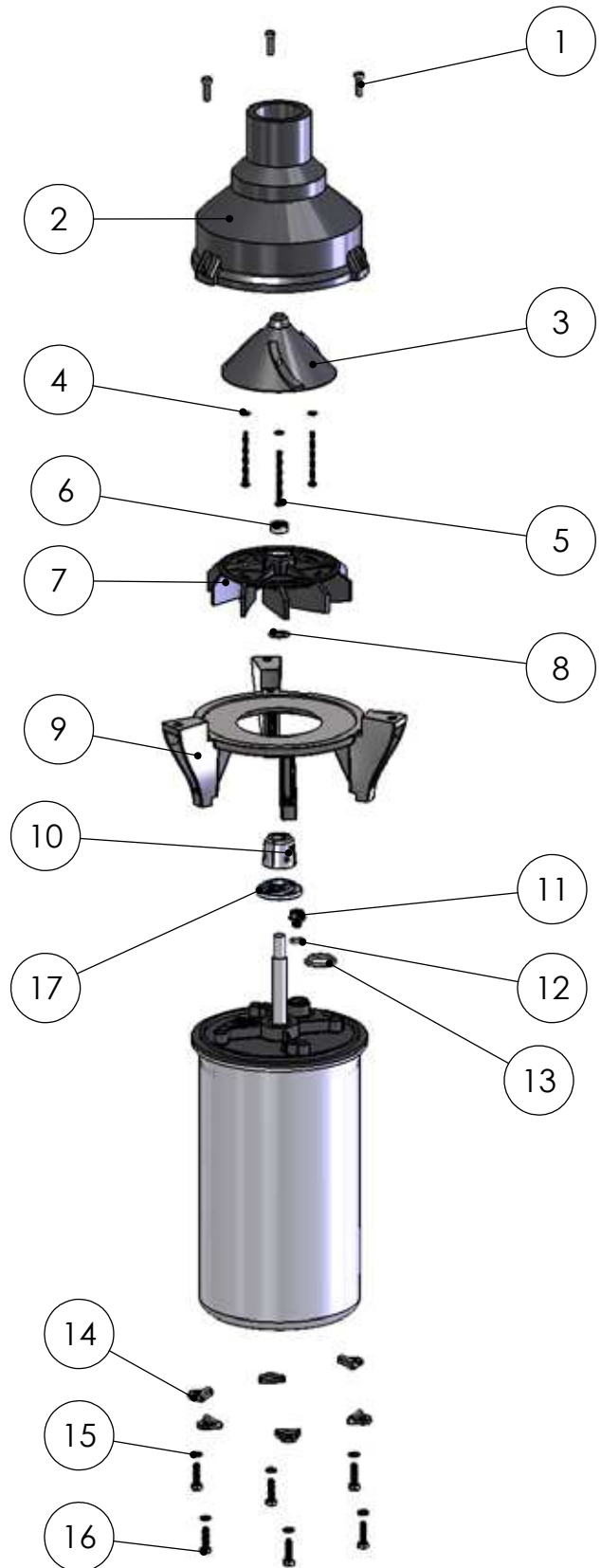
ITEM NO.	PART NO.	DESCRIPTION	QTY.
1	840550	5.1 J HOUSING	1
2	475628	SCREW, FILLISTER HEAD	3
3	840558	CONE, 5.1J	1
4	475626	FLAT WASHER, #10	3
5	475625	SCREW, 10-24 X 2.5" LONG	3
6	840560	IMPELLER, 5 HP	1
7	475642	WASHER, 1/2"	1
8	840235	BASEPLATE, 2.3,5 HP J SERIES	1
9	840475	ZINC ASSEMBLY	1
10	990280	SEALING PLUG	1
11	990281	O RING	1
12	990290	O RING	1
13	140312	RETAINING CLIP	6
14	840537	LOCK WASHER, 1/4"	6
15	451130	1/4-20 X 1" HEX HEAD CAPSCREW	6
16	840510	DEBRIS FLINGER, .625 DIA. SHAFT	1

5.1JF Replacement Parts



ITEM NO.	PART NO.	DESCRIPTION	QTY.
1	475628	SCREW, FILLISTER HEAD	3
2	840550	5.1 J HOUSING	1
3	840558	CONE, 5.1J	1
4	475626	FLAT WASHER, #10	3
5	475625	SCREW, 10-24 X 2.5" LONG	3
6	360100	IMPELLER LOCK NUT	1
7	840561	5 HP IMPELLER	1
8	475642	WASHER, 1/2"	1
9	840235	BASEPLATE, 2,3,5 HP J SERIES	1
10	840475	ZINC ASSEMBLY	1
11	990280	SEALING PLUG	1
12	990281	O RING	1
13	990290	O RING	1
14	140312	RETAINING CLIP	6
15	840537	LOCK WASHER, 1/4"	6
16	451130	1/4-20 X 1" HEX HEAD CAPSCREW	6
17	840510	DEBRIS FLINGER, .625 DIA. SHAFT	1

5.3JF Replacement Parts



ITEM NO.	PART NO.	DESCRIPTION	QTY.
1	475628	SCREW, FILLISTER HEAD	3
2	702200	UPPER HOUSING, 7 HP	1
3	840240	2 HP HOUSING CONE	1
4	475626	FLAT WASHER, #10	3
5	475625	SCREW, 10-24 X 2.5" LONG	3
6	360100	IMPELLER LOCK NUT	1
8	475642	WASHER, 1/2"	1
9	840475	ZINC ASSEMBLY	1
10	702300	PUMP BASE, 7 HP	1
11	990280	SEALING PLUG	1
12	990290	O RING	1
13	990281	O RING	1
14	140312	RETAINING CLIP	6
15	840537	LOCK WASHER, 1/4"	6
16	451130	1/4-20 X 1" HEX HEAD CAPSCREW	6
18	702100	IMPELLER	1
19	840510	DEBRIS FLINGER, .625 DIA. SHAFT	1

7.3JF Replacement Parts



Maintenance Recommendations

** Under No Circumstances should anyone enter the water while a aerator is operating. **

** Please keep the original box for maintenance shipping. **

The following maintenance procedures can be utilized to ensure many years of quality performance from your Kasco aerator and reduce the need for more costly repair work.

PROPER INSTALLATION: Proper installation of Kasco equipment will include a power source with ground fault interruption. For aerator models, the C-85 or C-95 (240/208V) included with the unit have built-in ground fault interruption that is sufficient. Ground fault interrupters are a safety feature that can also alert you to electrical leaks in the equipment. It is extremely important to test the GFI upon installation, each reinstallation, and monthly thereafter to ensure proper operation. If you have repeat, consistent trips on your ground fault, the equipment should be disconnected and removed from the water. The power cord should be inspected for damage and you should call Kasco Marine at 715-262-4488 for further instructions or email Kasco at sales@kascomarine.com.

OBSERVATION: Operating equipment should be observed on a regular basis (daily, if possible) for any reduction or variation in performance. If a change in performance is observed, the equipment should be disconnected from power and inspected for any material that may have clogged the system or wrapped around the shaft of the motor, especially plastic bags and fishing line. Even though Kasco Aerators are among the most clog-resistant on the market, it is impossible to protect against all items that can clog equipment and still maintain a flow of water. These materials can be very damaging to the equipment under continued operation and must be removed as soon as possible. **ALWAYS UNPLUG THE UNIT BEFORE ATTEMPTING TO REMOVE CLOGS.**

WINTER STORAGE: In regions where there is significant freezing in the wintertime, the aerators should be removed from the water to protect them from the expansion pressure of the ice. In many areas, aerators will keep some amount of ice open through the winter. However, when the water is thrust into the air, it is exposed to the colder air temperatures longer and can actually make ice thicker on the pond/lake. Storage over winter is best in a location that is out of the sun

and cool, but above 32°F. When storing units during the offseason, it is important to store them upside down if they are going to be sitting for long periods of time. Units that sit upright on a shelf for many months, or even years have a greater likelihood of seals drying out. Storing upside down will ensure oil is lubricating the seals and prevent drying.

CLEANING: Aerators should be removed from the water at least once per year (at the end of the season in cold climates) to clean the exterior of the system, especially the stainless steel motor housing (can). The motor housing is the surface that dissipates heat into the water and any algae, calcium, etc. build-up will become an insulator that blocks heat transfer. In warmer regions it is recommended that the motor is removed and cleaned at least two to three times per year depending on conditions. In most cases a power washer will be sufficient if the unit and algae are still wet.

SEAL AND OIL REPLACEMENT: This is a sealed motor assembly and seals will wear out over time (similar to brake pads on a car). Replacement of the seals and a change of oil after three years may add longevity to the operation of the motor, saving you the cost of more expensive repairs. In warmer climates where the aerator runs most or all of the year, it is a good idea to replace seals more regularly than you would need to in colder climates where the unit is removed from the water for several months.

ZINC ANODE: A Sacrificial Zinc Anode is supplied on the shaft of all 8400JF, 3.1JF, and 5.1JF Model aerators for protection of the equipment from corrosion and electrolysis. The zinc anode should be updated (replaced) if reduced to half the original size or if white in color. Corrosion from electrolysis is more commonly associated with saltwater or brackish water, but as a matter of precaution, it is important to periodically check the zinc anode in all installations (at least every two to three months).

Seal replacement and all other repair services should be performed by Kasco Marine or a Kasco trained Authorized Repair Center. Any alterations or changes made to Kasco units by an unauthorized source will void the warranty. This includes tampering with the unit, power cord, and/or control box. Please contact Kasco Marine, Inc. at 715-262-4488 for your nearest Authorized Repair Center.

Warranty Policy

3 Year Limited Warranty: Kasco® Marine, Inc. warrants this aerator to be free from defects in material or workmanship (except for the ropes, power cord, and propeller) under normal use and service. The Kasco Marine, Inc. obligation under this warranty is limited to replacing or repairing free of charge any defective part within three (3) years from the date of shipment. Customer shall pay shipping charges for returning the unit to Kasco or an Authorized Repair Center.

THIS WARRANTY IS IN LIEU OF ANY OTHER WARRANTIES, EXPRESSED OR IMPLIED, AND ANY OTHER OBLIGATION OR LIABILITY WHATEVER ON THE PART OF KASCO MARINE, INC. AND IN NO EVENT SHALL KASCO MARINE, INC. BE LIABLE FOR ANY SPECIAL OR CONSEQUENTIAL DAMAGES.

Warranty is void if:

- The aerator is not maintained properly according to the Maintenance Recommendations supplied in this Owners Manual.
- The aerator is returned for repair without the power cord or if the unit, control box, or power cord are altered in any way from original shipment. Cuts in the power cord are not covered under warranty.
- The aerator is not used with the supplied GFI control box.
- The aerator is damaged by unauthorized tampering.
- The Sacrificial Zinc Anode around the propeller shaft shows significant deterioration. (The Anode must be inspected periodically and replaced if necessary.)

Warranty Claim Procedure:

The best method for establishing warranty period is by the original receipt. Also, register the aerator online at: www.kascomarine.com

Once the warranty coverage has been established, the unit may be sent to any Kasco Authorized Repair Center for evaluation and repair. Please call Kasco Marine at 715-262-4488 prior to shipping to receive any updated information and/or Repair Form, then ship to:

Kasco Marine, Inc.
800 Deere Rd.
Prescott, WI 54021
Attn: Repairs

Or call Kasco Marine at 715-262-4488 to locate your nearest Authorized Repair Center. You can also email Kasco at sales@kascomarine.com.

Note: Only complete motor assemblies will be accepted for warranty repair. The power cord and all other components must be returned with the motor as originally assembled. Any missing parts will be replaced at the customer's expense and, if determined to have caused the failure, could void the entire warranty. Some parts are essential for structural support during shipping and others, such as the power cord, are essential to properly diagnose potential causes of failure. It is not necessary to return the control box, float, or nozzles with the motor assembly, unless specifically asked to by a Kasco representative.

Please include the Repair Form received from Kasco Marine or your local distributor with the shipment. If no Repair Form is available, include your name and physical address for return delivery of the repaired unit and a daytime phone number and/or e-mail address for correspondence regarding the warranty claim.

Any expedited shipping method for the return of the unit is at the customer's expense. Kasco Marine will return units repaired under warranty at our expense via ground freight within the continental United States. Other Repairs:

Most failed equipment can be repaired at substantially lower costs than replacement with new. Please ship according to the instructions in the previous section. Again, it is best to call ahead for updated information and/or Repair Form.

Kasco Marine does estimates on repairs at the request of the customer. The request for estimate should be included in the letter that accompanies the returned unit and must include a daytime phone number and/or e-mail address. Estimate options are as follows:

We will contact the customer with a total after the unit has been evaluated, but before the work is performed. We will repair the unit only if repair costs are under a stated dollar amount. Example: "Please repair if total is under \$150.00 before shipping charges."

All estimates that are rejected for repair will be destroyed unless otherwise directed by the customer. If the customer would like the unit returned, the unit will be restored as closely as possible to the condition in which it was received and shipped at the customer's

expense for shipping and handling charges.

Billing:

All non-warranty repairs will be returned to the customer and billed C.O.D. unless otherwise directed. Kasco Marine also accepts Visa and MasterCard credit card payments. Kasco Marine will call for credit card information upon completion of the estimate at the customer's request.

All other warranty and repair inquiries should be directed to Kasco Marine, Inc. at 715-262-4488 or returns@kascomarine.com.

Troubleshooting Tips

Below are some helpful troubleshooting tips. If a problem occurs, please double check the assembly and installation instructions as well as the instructions for the proper control panel.

"My pattern is crooked or does not look even."

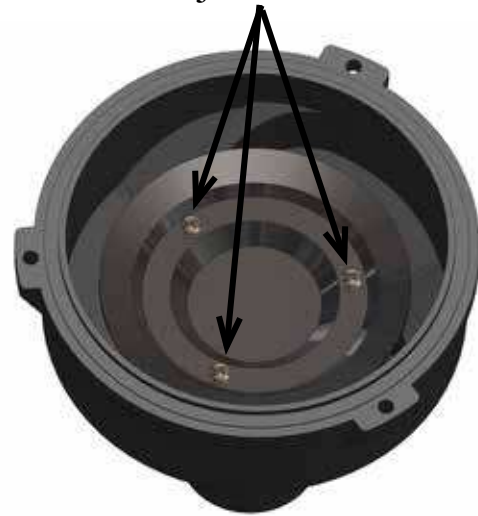
Wind can make a fountain pattern crooked. Also, make sure there is no clog or debris that is throwing off the pattern. If there is no wind or clog, then check to see if the nozzle is screwed down all the way and is sitting centered with the cone assembly. If it is not centered after screwing the nozzle all the way down, follow these steps to center the nozzle:

Remove the 3 screws holding the cone assembly to the baseplate.



Leave the nozzle screwed into the inner cone for a visual reference while you adjust the 3 screws holding the inner cone to the outer cone. Tightening a screw will shift the nozzle towards the opposite of the screw that is being tightened.

Adjust screws



Once all 3 screws are tight and the nozzle looks centered, you can reattach the cone assembly to the baseplate. Make sure the cone assembly does not have any gaps with the baseplate before tightening the 3 screws.

"My Aerator trips the ground fault interrupter in the Control Panel."

This is the most common symptom of several possible problems. To correctly diagnose the problem, you will need to collect more information. A Ground Fault Interrupter (GFI) breaker that trips can indicate an electrical service problem, water contamination in the unit and/or cord, bad breaker, control box problems, motor problems, etc. Try to find out the answers to these questions before you contact Kasco to narrow down the problem.

- How long does it take to trip the breaker?
- Does it always take the same amount of time to trip?
- How many times has it tripped?
- Has there been any electrical problems in the area recently?

"My Aerator seems to run slowly."

This can also be a symptom of several possible problems. There could be an electrical problem where the unit is not getting the proper voltage. This could also indicate a problem with the motor of the unit, which needs to be looked at by an Authorized Repair Center. Check that the unit is receiving the proper voltage, and, if so, contact Kasco for further steps.

"My Aerator hums, but will not start. When I spin the prop with a stick, it starts up." (single phase units only)

This indicated a problem with the Starting Capacitor. Each Kasco single phase aerator is equipped with a Starting Capacitor to get the unit going when it is first plugged in. If it is operating, but not spinning and can

be started by spinning the prop with a stick, the Starting capacitor needs to be replaced by an Authorized Repair Center.

“My Aerator turns itself off and back on without the timer and without tripping the GFI breaker.” (single phase units only)

Each Kasco single phase aerator has a Thermal Overload built in that will turn the unit off when it overheats. Once the unit has cooled down, it will start back up. If you are noticing these symptoms, the unit should be unplugged immediately because the Thermal Overload will continue to turn on and off until it burns out and damages the motor. The unit should be unplugged and taken out of the water to find the cause of the problem. The problem could be one of many, such as, low water levels, build-up on the unit to prevent heat dissipation, something inhibiting the free rotation of the shaft, etc. If something is caught in the unit or there is a build-up on the unit, remove the debris and, if caught early enough, the unit should be fine. Contact a Kasco representative before restarting the unit.

“My Aerator flow seems to fluctuate and/or be less than usual.”

This can occur because of a few different reasons. Most of the time, this symptom is caused from unit being clogged with debris. A mat of weeds, many leaves, plastic bags, etc. can clog up the unit and cause it to be starved of water. If the unit does not have the proper amount of water, the flow or pattern will fluctuate up and down and look sporadic. If you are seeing these symptoms, unplug the unit and clean away the debris that is clogging up the screen. Another possibility if these symptoms are noticed, is a chipped or damaged prop that is causing the unit to wobble and not pump properly. When the unit is unplugged, check the prop for damages and replace if damage is found.

“The GFI breaker trips randomly and sporadically. Sometimes it is a few hours of operation, other times it can be days or weeks.”

This is referred to as a Nuisance Trip. This usually occurs where the unit is installed a great distance from the initial electric service on the property where the ground stake is placed. It is caused by either induced current in the ground wire or a base voltage difference due to soil pH levels. A possible resolution to the problem, contact an electrician and install a local grounding stake. This may eliminate the induced current and any base voltage differences.



800 Deere Rd

Prescott, WI 54021

Phone: 715-262-4488 Fax: 715-262-4487

www.Kascomarine.com Sales@kascomarine.com

Repair Contact Form

- ❖ Kasco requires all Repairs sent in **MUST** be accompanied by this form and marked to Repairs attention. (ex. Attn: Repairs)
- ❖ Repairs returned should include upper pump housing or wire basket for Aerators and De-Icers. These parts protect the motor during shipping.
- ❖ Kasco is **NOT** responsible for shipping damage accrued in return shipment.
- ❖ It is the responsibility of customer to ship and pay freight to Kasco.
- ❖ Do not ship float or control panel with unit, unless otherwise instructed
- ❖ **A fee of \$60 per hour will be assessed for cleaning excessively dirty units and float disassembly**
- ❖ Refer to the Owner's manual for easy-to-follow troubleshooting rule out site issue.

Note: Contact Information Should be that of the person or company to contact for repair.

Company	First Name	Last Name
Address	City	State
Zip code	Phone #	Alternate Phone #
Email Address	Preferred method of contact (Circle) Phone Email	Purchase order #

Submersible Pump Information (Complete if sending unit)	Light kit Information (complete if sending lights)	Parts Included (For office use)
Model #	Model #	Unit <input type="checkbox"/>
Serial #	Serial #	Cord <input type="checkbox"/>
Cord Length:	Cord Length:	Light Kit <input type="checkbox"/>
Purchased from:	Purchased From	Float <input type="checkbox"/>
Purchase Date:	Purchase Date:	Control Panel <input type="checkbox"/>

Additional notes for technician.

Registration Information

Please register your aerator online at:

www.kascomarine.com

Also fill in the information below and keep for your records.

Model # (Ex. 3.1JF) _____

Serial # (Ex. 8001J311725) _____

Purchase Date: _____

Purchased From: _____

Registration Date: _____



Kasco Marine, Inc.
800 Deere Rd.
Prescott, WI 54021

Phone (715) 262-4488 • Fax (715) 262-4487

www.kascomarine.com • sales@kascomarine.com